

## Extended Grinders

Page Number	Tool Configuration	Abrasive Size	Model Series	Power Output
48	Small Diameter Neck for Narrow Applications	<ul style="list-style-type: none"> <li>• Cone Wheels (3/8-24) – 2 Inch Max.</li> <li>• Mounted Stones or Burrs</li> </ul>	400EH	1.2 H.P. (900 W)
49	Rugged Extension and Front End Design	<ul style="list-style-type: none"> <li>• Cone Wheels (3/8-24) – 2 Inch Max.</li> <li>• Cone Wheels (5/8-11) – 2 Inch Max.</li> <li>• Mounted Stones or Burrs</li> <li>• 4 Inch Type 1 Wheels</li> </ul>	400GEH 407GEH	
50	Heavy Duty Front End Design for Larger Cone or Type 1 Wheels	<ul style="list-style-type: none"> <li>• Cone Wheels (5/8-11)</li> <li>• 6 Inch Type 1 Wheels</li> </ul>	520HGEH	2.0 H.P. (1.5 kW)
51			65HGEH	4.0 H.P. (3.0 kW)
52	Extreme Duty Extension Grinder	<ul style="list-style-type: none"> <li>• Cone Wheels (5/8-11)</li> </ul>	65NEH	4.0 H.P. (3.0 kW)
53	Additionally Extension Grinder	<ul style="list-style-type: none"> <li>• Cone Wheels (5/8-11)</li> </ul>	520HGEH+	2.0 H.P. (1.5 kW)
			65HGEH+	4.0 H.P. (3.0 kW)



**LEVER STYLES FOR 400EH AND 400GEH SERIES TOOLS**

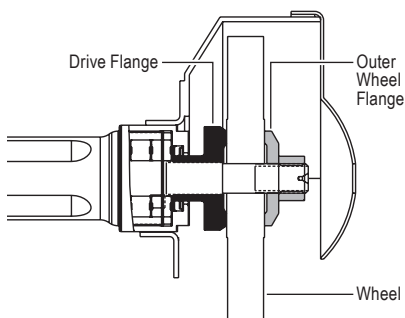


**HANDLES FOR 520HGEH, 65HGEH AND 65NEH SERIES TOOLS**

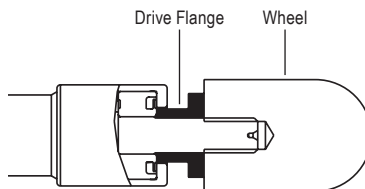
EXTENDED GRINDERS

### MOUNTING OF WHEELS

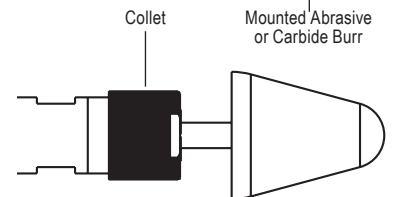
Proper Mounting of Smaller Type 1 Wheels



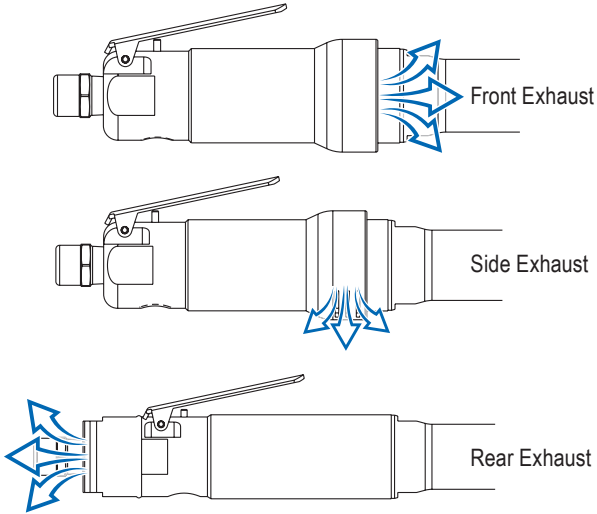
Proper Mounting of Cone Wheels



Proper Mounting of Inserted Tooling (Burrs/Mounted Stones)



### EXHAUST DIRECTION



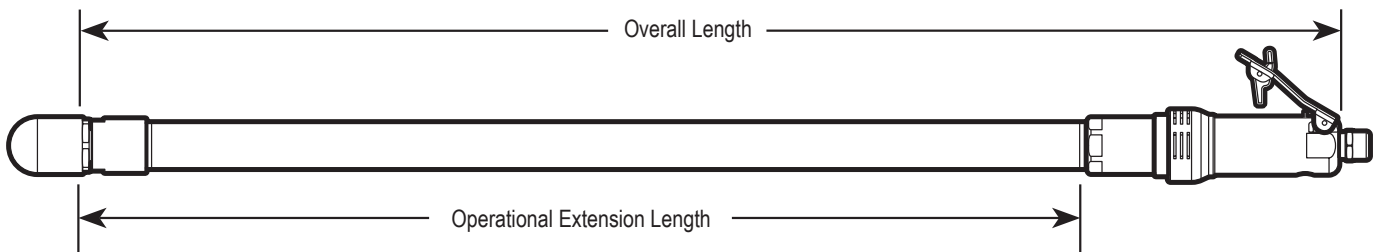
Rear exhaust overhose for the 400 Series  
Only available on Rear Exhaust tools.



The choice of case material affects the weight and durability of the tool. By its nature, aluminum is lighter in weight than steel. Steel is more durable in aggressive environments.

### EXTENSION LENGTH

The "+XX" dimension that is designated in the model number is considered the "Operational Extension Length". This dimension is the actual length of the extended housing from the front of the motor forward. The operator should use this dimension as a means to judge the length of necessary extension based on the application. This should not be confused with the "Overall Length" which includes the actual length of the motor and handle.



EXTENDED GRINDERS

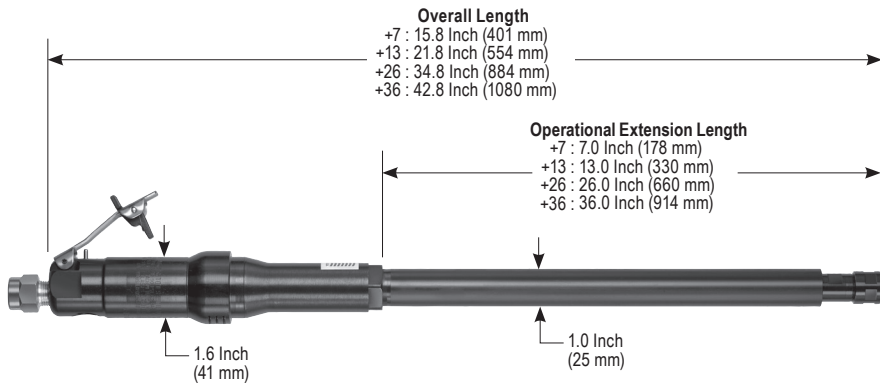
## Narrow Neck Extended Grinders

### 400EH Series



Output	Max. Rated Speed	Lever Style	MODEL NUMBER			
			with 7 Inch Extension	with 13 Inch Extension	with 26 Inch Extension	with 36 Inch Extension
Collet ER Style Insert Collet 3/8 Inch (10 mm) Maximum	20,000 RPM	Standard Lever	400EHSK+7;20000;1/4	400EHSK+13;20000;1/4	400EHSK+26;20000;1/4	400EHSK+36;20000;1/4
		Safety Lever	400EHSKD+7;20000;1/4	400EHSKD+13;20000;1/4	400EHSKD+26;20000;1/4	400EHSKD+36;20000;1/4
	18,000 RPM	Standard Lever	400EHS+7;18000;1/4	400EHS+13;18000;1/4	400EHS+26;18000;1/4	400EHS+36;18000;1/4
		Safety Lever	400EHSKD+7;18000;1/4	400EHSKD+13;18000;1/4	400EHSKD+26;18000;1/4	400EHSKD+36;18000;1/4
Cone Wheel 3/8-24 Cone Wheel Spindle	20,000 RPM	Standard Lever	400EHS1+7;20000	400EHS1+13;20000	400EHS1+26;20000	400EHS1+36;20000
		Safety Lever	400EHSK1+7;20000	400EHSK1+13;20000	400EHSK1+26;20000	400EHSK1+36;20000
	18,000 RPM	Standard Lever	400EHS1+7;18000	400EHS1+13;18000	400EHS1+26;18000	400EHS1+36;18000
		Safety Lever	400EHSK1+7;18000	400EHSK1+13;18000	400EHSK1+26;18000	400EHSK1+36;18000

Other Collet Sizes are Available

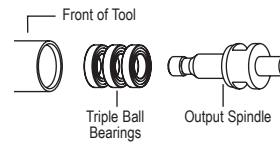


**HP** 1.2 H.P. (900 W)

**Lbs** +7: 4.8 Lbs. (2.2 Kg)  
+13: 6.0 Lbs. (2.7 Kg)  
+26: 8.7 Lbs. (3.9 Kg)  
+36: 10.7 Lbs. (4.8 Kg)

**cfm** 35 cfm (16.5 L/s) Max

**SUPPLY** 3/8" NPT Inlet  
1/2" (13mm) Hose Size



EXTENDED GRINDERS

#### STANDARD EQUIPMENT

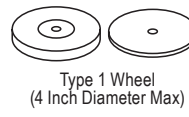
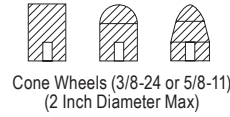
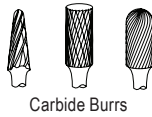
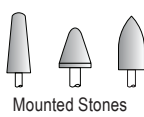
- Tool
- Operating Instructions and Service Manual
- Wrenches (sizes based on options)

#### 400EH Series Alternate Options



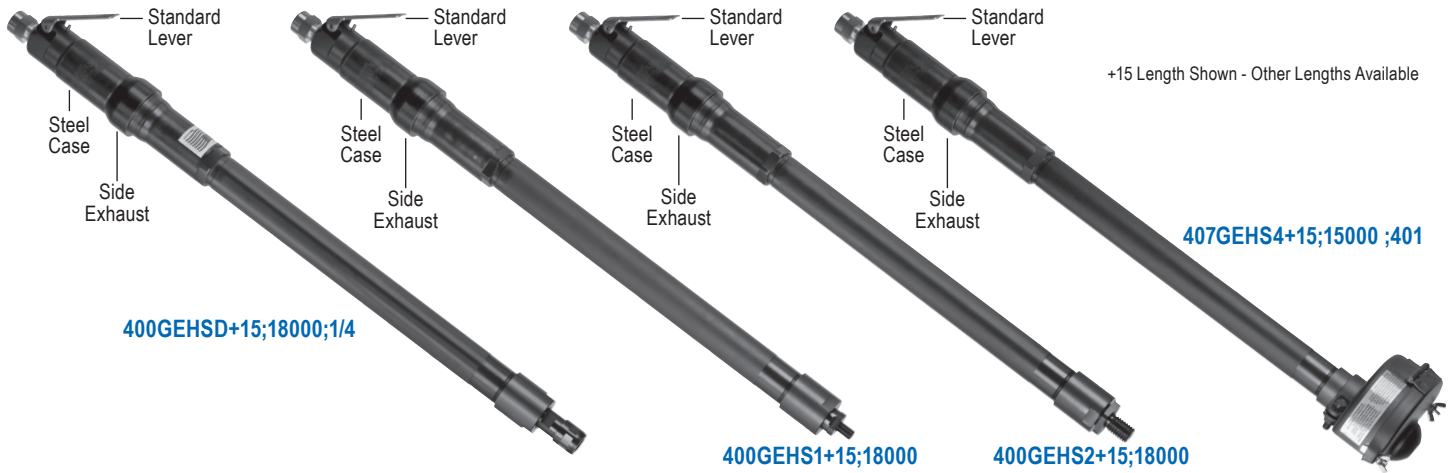
#### Abrasive Mounting



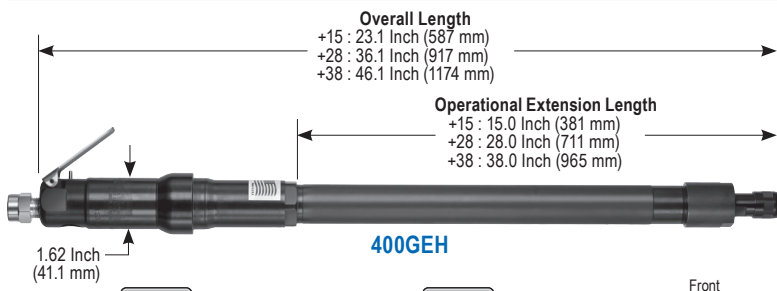


## Extended Grinders

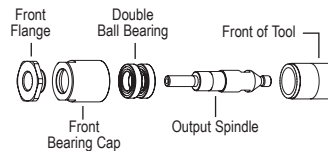
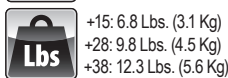
### 400GEH & 407GEH Series



Output	Max. Rated Speed	Lever Style	MODEL NUMBER		
			with 15 Inch Extension	with 28 Inch Extension	with 38 Inch Extension
Collet ER Style Insert Collet 3/8 Inch (10 mm) Maximum	20,000 RPM	Standard Lever	400GEHSD+15;20000;1/4	400GEHSD+28;20000;1/4	400GEHSD+38;20000;1/4
		Safety Lever	400GEHSD+15;20000;1/4	400GEHSD+28;20000;1/4	400GEHSD+38;20000;1/4
	18,000 RPM	Standard Lever	400GEHSD+15;18000;1/4	400GEHSD+28;18000;1/4	400GEHSD+38;18000;1/4
		Safety Lever	400GEHSD+15;18000;1/4	400GEHSD+28;18000;1/4	400GEHSD+38;18000;1/4
Cone Wheel 3/8-24 Cone Wheel Spindle	20,000 RPM	Standard Lever	400GEHS1+15;20000	400GEHS1+28;20000	400GEHS1+38;20000
		Safety Lever	400GEHSK1+15;20000	400GEHSK1+28;20000	400GEHSK1+38;20000
	18,000 RPM	Standard Lever	400GEHS1+15;18000	400GEHS1+28;18000	400GEHS1+38;18000
		Safety Lever	400GEHSK1+15;18000	400GEHSK1+28;18000	400GEHSK1+38;18000
Cone Wheel 5/8-11 Cone Wheel Spindle	20,000 RPM	Standard Lever	400GEHS2+15;20000	400GEHS2+28;20000	400GEHS2+38;20000
		Safety Lever	400GEHSK2+15;20000	400GEHSK2+28;20000	400GEHSK2+38;20000
	18,000 RPM	Standard Lever	400GEHS2+15;18000	400GEHS2+28;18000	400GEHS2+38;18000
		Safety Lever	400GEHSK2+15;18000	400GEHSK2+28;18000	400GEHSK2+38;18000
4" Type 1 Wheel 3/8-24 Type 1 Wheel	15,000 RPM	Standard Lever	407GEHS4+15;15000;401	407GEHS4+28;15000;401	407GEHS4+38;15000;401
		Safety Lever	407GEHSK4+15;15000;401	407GEHSK4+28;15000;401	407GEHSK4+38;15000;401



Other Collet Sizes are Available

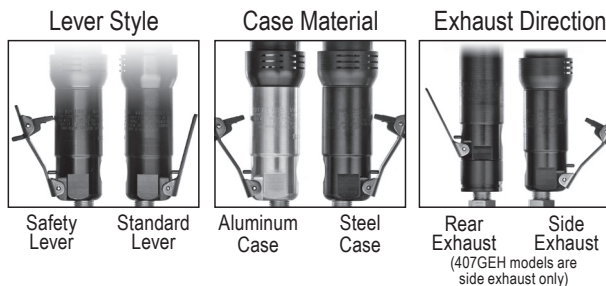


EXTENDED GRINDERS

### 400GEH & 407GEH Series Alternate Options

#### STANDARD EQUIPMENT

- Tool
- Operating Instructions and Service Manual
- Wrenches (sizes based on options)



#### Abrasive Mounting



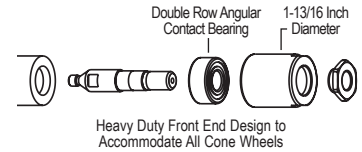
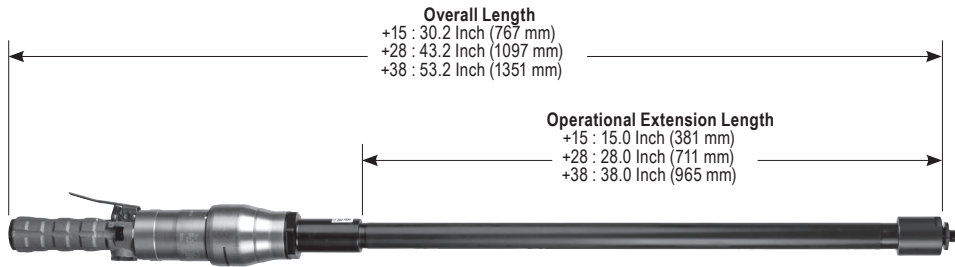
WARNING: Follow all recommendations from component and abrasive manufacturers for speeds and proper usage.

## Extended Grinders

### 520HGEH Series



Output	Max. Rated Speed	Lever Style	MODEL NUMBER		
			with 15 Inch Extension	with 28 Inch Extension	with 38 Inch Extension
Cone Wheel 5/8-11 Cone Wheel Spindle	12,000 RPM	Standard Lever	520HGEHLCW+15;12000	520HGEHLCW+28;12000	520HGEHLCW+38;12000
		Safety Lever	520HGEHKCW+15;12000	520HGEHKCW+28;12000	520HGEHKCW+38;12000
		Spade Handle	520HGEHGCW+15;12000	520HGEHGCW+28;12000	520HGEHGCW+38;12000
6" Type 1 Wheel 5/8-11 Type 1 Wheel Spindle	8,000 RPM	Standard Lever	520HGEHL+15;8000;601	520HGEHL+28;8000;601	520HGEHL+38;8000;601
		Safety Lever	520HGEHK+15;8000;601	520HGEHK+28;8000;601	520HGEHK+38;8000;601
		Spade Handle	520HGEHG+15;8000;601	520HGEHG+28;8000;601	520HGEHG+38;8000;601



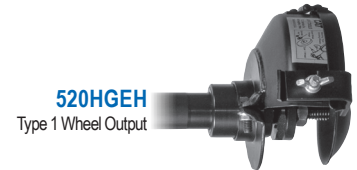
**HP** 2.0 H.P. (1500 W)

**Lbs** +15: 11.1 Lbs. (5.0 Kg)  
+28: 14.2 Lbs. (6.4 Kg)  
+38: 16.6 Lbs. (7.5 Kg)

**cfm** 20 cfm (9.4 L/s) Free Speed  
40 cfm (18.9 L/s) Max

**SUPPLY** 1/2" NPT Inlet  
1/2" (13mm) Hose Size

**520HGEHCW**  
5/8-11 Cone Wheel Output



EXTENDED GRINDERS

### 520HGEH Series Alternate Options

### Abrasive Mounting

#### STANDARD EQUIPMENT

- Tool
- Operating Instructions and Service Manual
- Wrenches (sizes based on options)



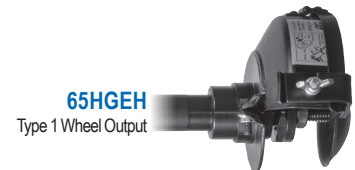
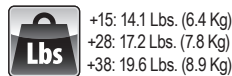
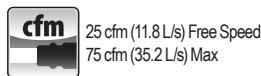
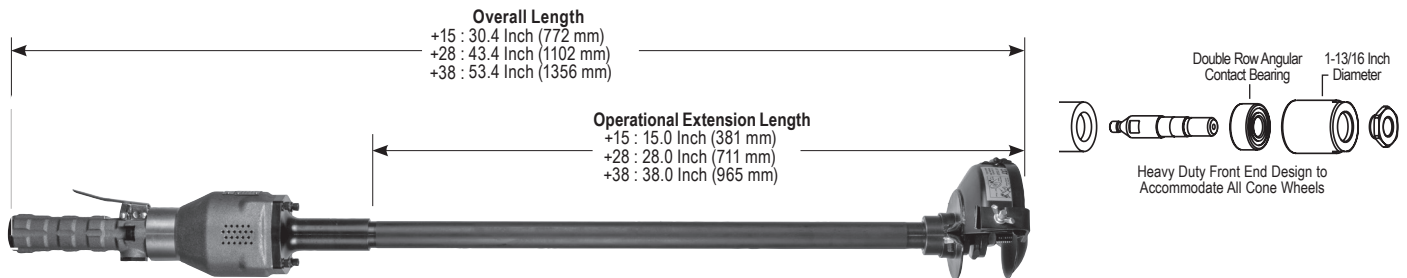


## Extended Grinders

### 65HGEH Series



Output	Lever Style	MODEL NUMBER		
		with 15 Inch Extension	with 28 Inch Extension	with 38 Inch Extension
Cone Wheel 5/8-11 Cone Wheel Spindle	Standard Lever	65HGEHLCW+15;8000	65HGEHLCW+28;8000	65HGEHLCW+38;8000
	Safety Lever	65HGEHKCW+15;8000	65HGEHKCW+28;8000	65HGEHKCW+38;8000
	Spade Handle	65HGEHGCW+15;8000	65HGEHGCW+28;8000	65HGEHGCW+38;8000
6" Type 1 Wheel 5/8-11 Type 1 Wheel Spindle	Standard Lever	65HGEHL+15;8000;601	65HGEHL+28;8000;601	65HGEHL+38;8000;601
	Safety Lever	65HGEHK+15;8000;601	65HGEHK+28;8000;601	65HGEHK+38;8000;601
	Spade Handle	65HGEHG+15;8000;601	65HGEHG+28;8000;601	65HGEHG+38;8000;601



EXTENDED GRINDERS

### 65HGEH Series Alternate Options

### Abrasive Mounting

#### STANDARD EQUIPMENT

- Tool
- Operating Instructions and Service Manual
- Wrenches (sizes based on options)



## Extended Grinders

### 65NEH Series

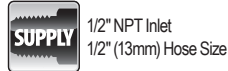
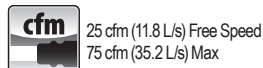
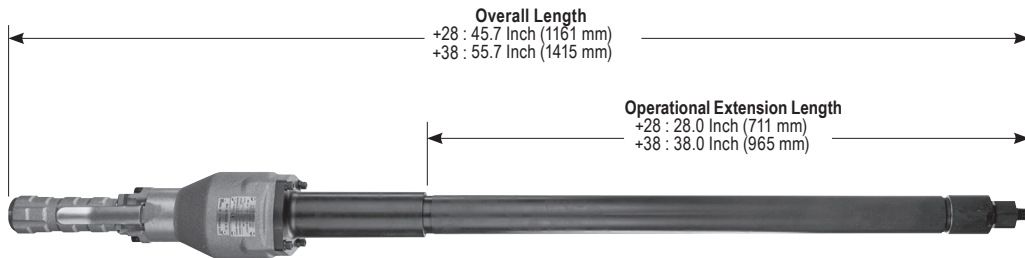
Extreme Duty Extended Grinder



**65NEHKCW+28;8000**

+28 Length Shown - Other Lengths Available

Output	Lever Style	with 28 Inch Extension	with 38 Inch Extension
Cone Wheel 5/8-11 Cone Wheel Spindle	Standard Lever	65NEHLCW+28;8000	65NEHLCW+38;8000
	Safety Lever	65NEHKCW+28;8000	65NEHKCW+38;8000
	Spade Handle	65NEHGCW+28;8000	65NEHGCW+38;8000



EXTENDED GRINDERS

#### STANDARD EQUIPMENT

- Tool
- Operating Instructions and Service Manual
- Wrench (size based on options)

#### 65NEH Series Alternate Options

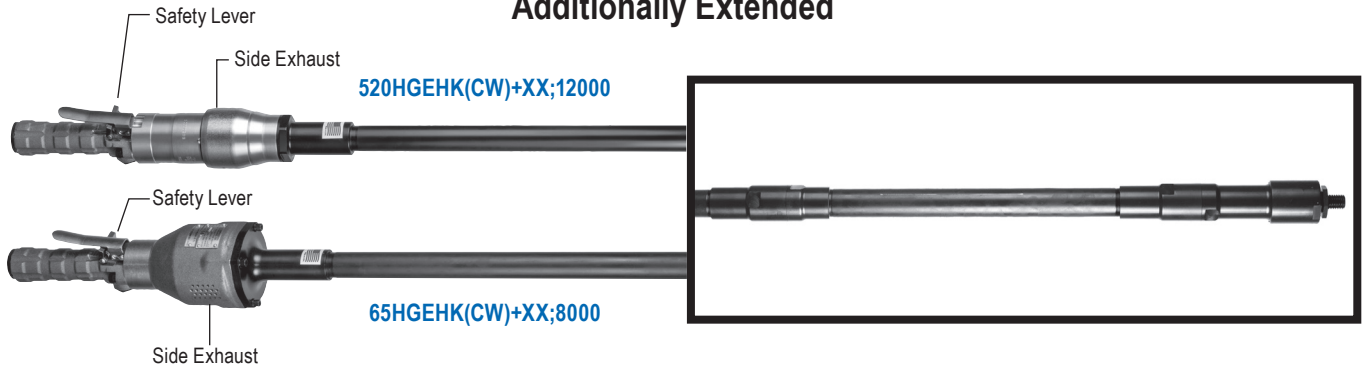


#### Abrasive Mounting

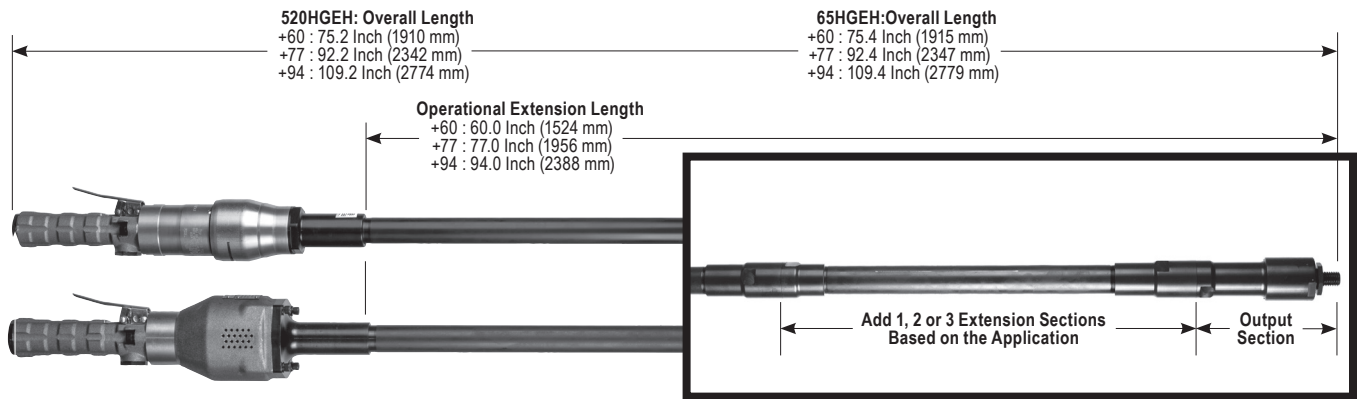


**Additionally Extended Grinders**

**520HGEH/65HGEH Series  
Additionally Extended**



Base Model Series	Power Output	Max. Rated Speed	Lever Style	MODEL NUMBER		
				with 1 Extension	with 2 Extensions	with 3 Extensions
520HGEH	2.0 H.P. (1.5 kW)	12,000 RPM	Standard Lever	520HGEHLCW+60;12000	520HGEHLCW+77;12000	520HGEHLCW+94;12000
			Safety Lever	520HGEHKCW+60;12000	520HGEHKCW+77;12000	520HGEHKCW+94;12000
			Spade Handle	520HGEHGCW+60;12000	520HGEHGCW+77;12000	520HGEHGCW+94;12000
65HGEH	4.0 H.P. (3.0 kW)	8,000 RPM	Standard Lever	65HGEHLCW+60;8000	65HGEHLCW+77;8000	65HGEHLCW+94;8000
			Safety Lever	65HGEHKCW+60;8000	65HGEHKCW+77;8000	65HGEHKCW+94;8000
			Spade Handle	65HGEHGCW+60;8000	65HGEHGCW+77;8000	65HGEHGCW+94;8000



520HGEH: 2.0 H.P. (1500 W)  
65HGEH: 4.0 H.P. (3000 W)



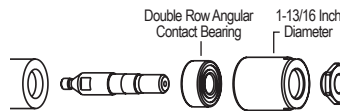
520HGEH: 20 cfm (9.4 L/s) Free Speed  
40 cfm (18.9 L/s) Max  
65HGEH: 25 cfm (11.8 L/s) Free Speed  
75 cfm (35.2 L/s) Max



520HGEH: +60: 23.5 Lbs. (10.6 Kg)  
+77: 28.4 Lbs. (12.9 Kg)  
+94: 33.3 Lbs. (15.1 Kg)  
65HGEH: +60: 26.5 Lbs. (12.0 Kg)  
+77: 31.4 Lbs. (14.2 Kg)  
+94: 36.3 Lbs. (16.4 Kg)



1/2" NPT Inlet  
1/2" (13mm) Hose Size



Heavy Duty Front End Design to Accommodate All Cone Wheels



EXTENDED GRINDERS

**520HGEH & 65HGEH Series  
Alternate Options**

**STANDARD EQUIPMENT**

- Tool
- Operating Instructions and Service Manual
- Wrenches (sizes based on options)



Standard Lever



Safety Lever



Spade Handle

**Abrasive Mounting**

